

THETA WI Sensor

The THETA WI Sensor measure temperature, humidity, alarm contacts or counters. They are designed to be as simple as possible to install and require little to no maintenance. With Bluetooth Low Energy and WiFi for data transmission, there is no need for complicated cabling. The measurements are collected locally and can be sent the cloud on predefined intervals or viewed on a Mobile Device. The devices are powered by USB or standard batteries for complete independence.

Summary

- Built in Temperature / Humidity
- PT100 / PT1000 Input
- Humidity Sensor
- Pulse counting capability
- A/D Converter
- Bluetooth 4.0 and WiFi transmission
- Very simple Installation
- Battery power for up to 2 years
- USB Power with backup battery
- Cloud Service
- Developed in Switzerland, manufactured in the EU

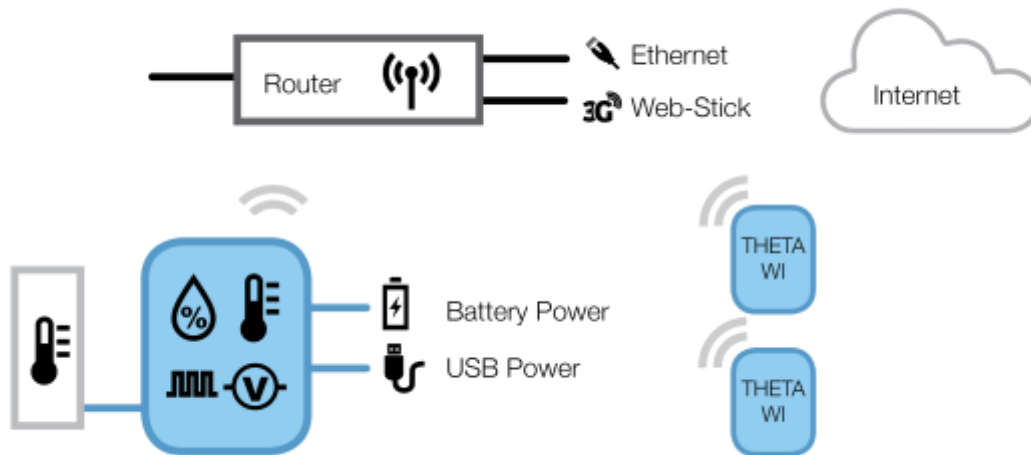


Application

- Data Centers
- Construction Sites
- Battery Monitoring
- Transportation Supervision
- Industrial and Agricultural Storage
- Remote utility metering and reading
- many more

THETA WI Sensor

System Overview



Technical Specification

Power Supply Input

- 2x AA Batteries
- USB (possibility of internal AA Batteries as Backup)
- External Battery 12-30 V (possibility of internal AA Batteries as Backup)

Inputs

- PT100 / PT1000 12 bit ± 0.5 bit
- A/D Converter 12 bit ± 0.5 bit
- Power Counter (up to 30 Hz)

Environmental

- Operating Range - 10° + 60°
- Storage Range - 40° + 87°

Internal Sensors

- Temperature 14 bit $\pm 0.4^\circ\text{C}$ (- 40° C + 125° C)
- Relative Humidity 12 bit $\pm 3\%$ RH (0 % - 100 % RH)

Network Interfaces

- Wifi 802.11bgn 2.4 GHz
- Bluetooth Low Energy (4.0)